

Geschwindigkeiten • Speeds • Vitesses

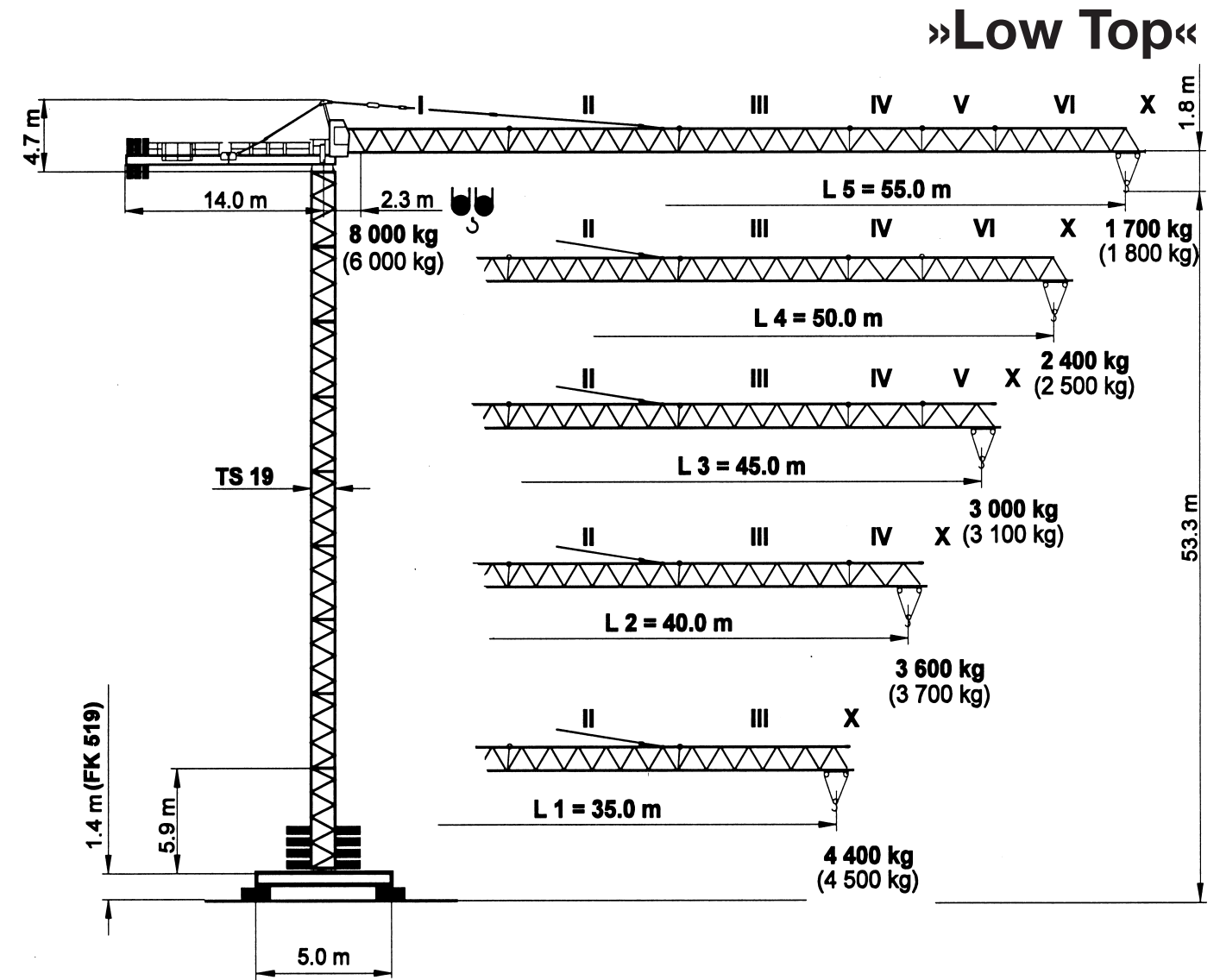
FU 4-80/4		$v = 0 \rightarrow 80 \text{ m / min.}$	4.0 kW	400 V
SR 8-130/3		$v = 0 \rightarrow 25 \text{ m / min.}$	2 x 7.5 kW	50 Hz
K WB 80/4		$v = 0 \rightarrow 0.75 \text{ min}^{-1}$	2 x 80 Nm	3 Ph

HK max. = 141 m 3 - Lagen / 3 - layers / 3 - couches

Type FU 34-40/5 28.0 kW		Motorenleistung ges. Total motor output Puissance moteur (ohne/without/sans SR 8-130/3) ~ 45 kW
		Anschlussleistung Connected power Puissance installée 60 kVA

HK max. = 113 m 3 - Lagen / 3 - layers / 3 - couches

Type FU 34-60/5 28.0 kW		Motorenleistung ges. Total motor output Puissance moteur (ohne/without/sans SR 8-130/3) ~ 45 kW
		Anschlussleistung Connected power Puissance installée 60 kVA



Unsere Vertretung:
Our representative:
Notre représentant:

TEREX PEINER GmbH

Gottbillstraße 1-7 · D-54294 Trier
Telefon: ++49 (6 51) 81 00 8 - 0
Telefax: ++49 (6 51) 8 93 00 u. 8 76 40
internet: <http://www.terex-peiner.de>
e-mail: info@terex-peiner.de



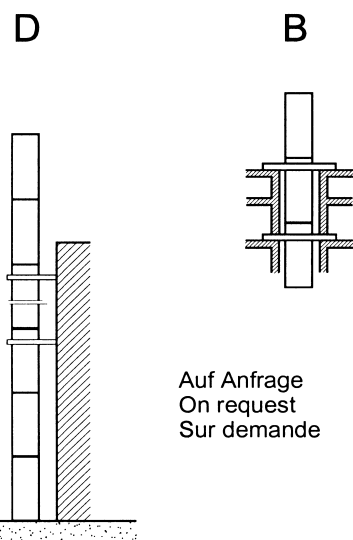
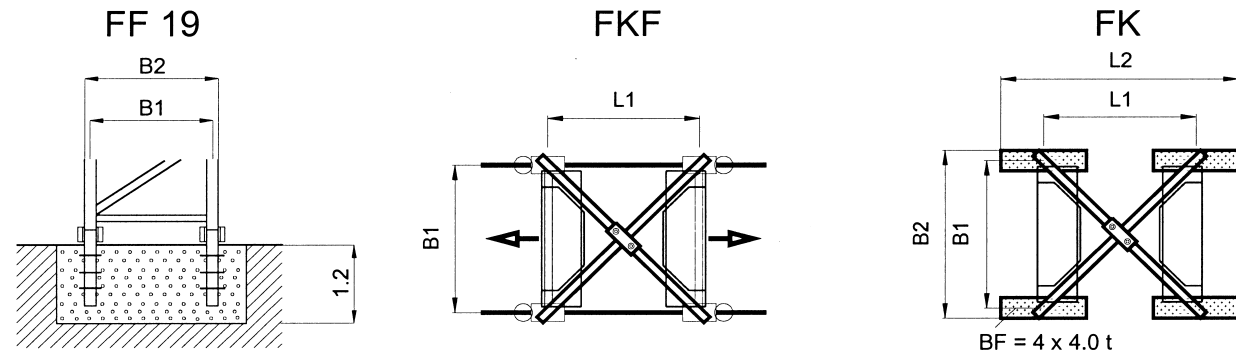
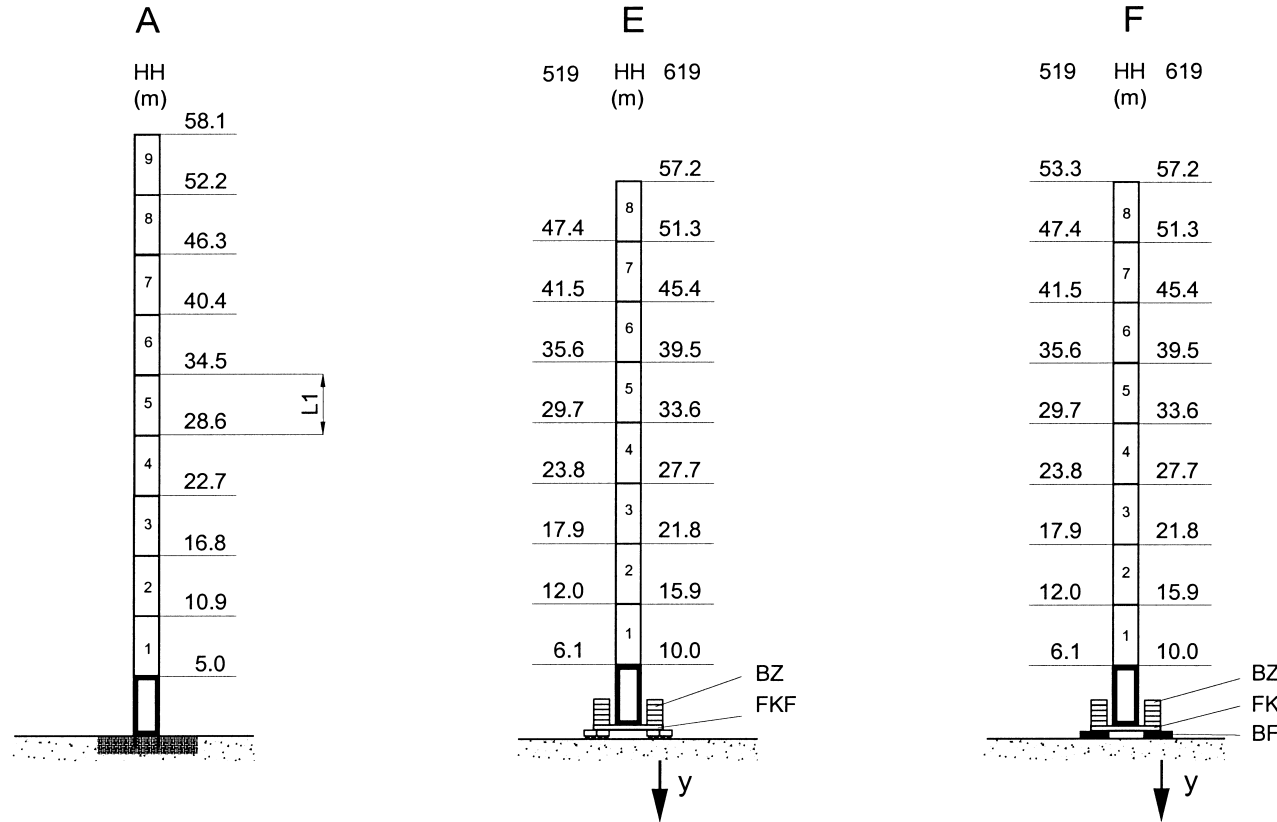
simple, available and cost effective™

DIN / FEM

Max. Tragfähigkeit
Lifting capacity
Force de levage

8.0 t
(6.0 t)

Turmversionen • Tower versions • Versions de tours



Auf Anfrage
On request
Sur demande

	B1	B2	L1	L2	y / ●	y / ■
	m				kN	
FK 519	5.00	6.05	5.05	7.85	677	607
FK 619	6.00	7.00	6.00	8.80	644	856
FKF 519	5.05		5.05		689	891
FKF 619	6.00		6.00		716	856
TS 19.1	1.90	2.06	5.9			
TS 19.2	1.90	2.06	11.8			
TSV 19.1	1.90	2.06	5.9			
TSV 19	1.90	2.06	9.8			

● in Betrieb / in operation / en service
■ außer Betrieb / out of operation / sans service

Ausladung und Tragfähigkeit • Radius and capacity • Portée et charge

Ausleger Jib Flèche	Max. Tragfähigkeit Max. Capacity Charge max.	Ausladung (m) und Tragfähigkeit (t) Radius (m) and capacity (t) Portée (m) et charge (t)																
		16	18	21	24	27	30	32	33	35	38	40	43	45	48	50	53	55
L5 55.0	2.3 - 15.6 m	7.8	6.8	5.7	4.9	4.2	3.7	3.4	3.3	3.1	2.8	2.6	2.4	2.2	2.0	1.9	1.8	1.7
L4 50.0	2.3 - 18.2 m	8.0	8.0	6.8	5.8	5.1	4.5	4.2	4.0	3.7	3.4	3.2	2.9	2.7	2.5	2.4		
L3 45.0	2.3 - 19.5 m	8.0	8.0	7.4	6.3	5.5	4.9	4.5	4.4	4.1	3.7	3.5	3.2	3.0				
L2 40.0	2.3 - 20.1 m	8.0	8.0	7.6	6.5	5.7	5.1	4.7	4.5	4.2	3.8	3.6						
L1 35.0	2.3 - 20.8 m	8.0	8.0	7.9	6.8	5.9	5.3	4.9	4.7	4.4								
L5 55.0	2.3 - 20.8 m	6.0	6.0	5.9	5.1	4.4	3.9	3.6	3.5	3.2	2.9	2.7	2.5	2.4	2.2	2.0	1.9	1.8
L4 50.0	2.3 - 24.1 m	6.0	6.0	6.0	6.0	5.3	4.7	4.3	4.2	3.9	3.5	3.3	3.0	2.9	2.6	2.5		
L3 45.0	2.3 - 25.8 m	6.0	6.0	6.0	6.0	5.7	5.0	4.7	4.5	4.2	3.8	3.6	3.3	3.1				
L2 40.0	2.3 - 26.5 m	6.0	6.0	6.0	6.0	5.9	5.2	4.8	4.6	4.3	3.9	3.7						
L1 35.0	2.3 - 27.3 m	6.0	6.0	6.0	6.0	6.0	5.4	5.0	4.8	4.5								

Ballastierung • Ballast • Lest

Version F – mit Zentralballast und Fundamentballast / with Central ballast block and Foundation block / avec Lest de base et Bloc de fondation – BZ + BF

HH (m)	6.1	12.0	17.9	23.8	29.7	35.6	41.5	47.4	53.3
FK 519 (t)	48.2	48.2	48.2	48.2	48.2	48.2	68.2	78.2	98.2
HH (m)	10.0	15.9	21.8	27.7	33.6	39.5	45.4	51.3	57.2
FK 619 (t)	48.2	48.2	48.2	48.2	48.2	58.2	58.2	68.2	88.2

Version E – mit Zentralballast / with Central ballast block / avec Lest de base – BZ

HH (m)	6.1	12.0	17.9	23.8	29.7	35.6	41.5	47.4
FKF 519 (t)	42.2	42.2	42.2	42.2	42.2	52.2	62.2	82.2
HH (m)	15.9	21.8	27.7	33.6	39.5	45.4	51.3	57.2
FKF 619 (t)	32.2	32.2	32.2	32.2	42.2	52.2	62.2	92.2

Gegengewichtsballast • Counterweight • Contrepoids

Ausleger / Jib / Flèche	L1	L2	L3	L4	L5	L6	L7
BG (t)	10.45	11.45	12.45	13.60	14.60	15.60	16.60
	2 x 3.15	1 x 3.15		3 x 3.15	2 x 3.15	1 x 3.15	
	1 x 4.15	2 x 4.15	3 x 4.15	1 x 4.15	2 x 4.15	3 x 4.15	4 x 4.15